



Shinezone



Moving  
Horizontally



Vertical  
Sliding

SOLAR WALL LIGHT

# INTRODUCTION

Product specifications

01

FRONT COVER

02

CATALOG

03

MAIN  
ADVANTAGES

04

OTHER  
ADVANTAGES

05

SPECIFICATIONS

06

EXPLODED  
VIEW

07

OPTICAL  
FIGURE

08

DIMENTION  
FIGURE

09

MORE DETAILS

10

ADVANTAGES OF  
CONTROLLER

11

PACKAGE  
DETAIL

12

LAST PAGE



2000LUMENS SUPER BRIGHT  
EMERGENCY SOLAR WALL LIGHT

Scientific Light Distribution







## Product Advantage

Turn up, down, left and right  
light wherever you want  
Easy your installation

**DO AS YOU WISHES,  
AMAZING LIKE A MAGIC CUBE.**



Moving Horizontally



<b>Item : SWL-12</b>	Fixture Power : 20W
<b>Solar panel</b>	
Power	Epoxy Mono-Crystalline , 1W
<b>Li-ion battery</b>	
Capacity	3.7V 14.8WH 2AH/PC
Charging/Discharging Temp	0~40°C/-20~60°C
Charging Time	20H
LED (OSRAM)	2835 39pcs ;
Color Temp	4000K , Ra 80+
Efficiency	170lm/W
UV LED	-
<b>Performance</b>	
Lighting Time in Rainyday	>10days
Control Mode	Button Switch , ON/OFF Long Press 1.5s
Lighting Mode	M1 : 50+PIR ( 2000 lm ) / M2 : 0+PIR ( 2000 lm ) /M3:50lm Till dawn -
Mode Indication	M1 : Flash for one time , M2 : Flash for two times ; M3 : Flash for three times
Capacity Indication	-
PIR	120° , >5m
Core technology	ALS 2.1 / TCS 1.0
Solar Panel Autoclean	-
IP/IK Class	IP65 / IK10
Install Height	3m



01.

Solar panel

02.

product shell

03.

Led plate

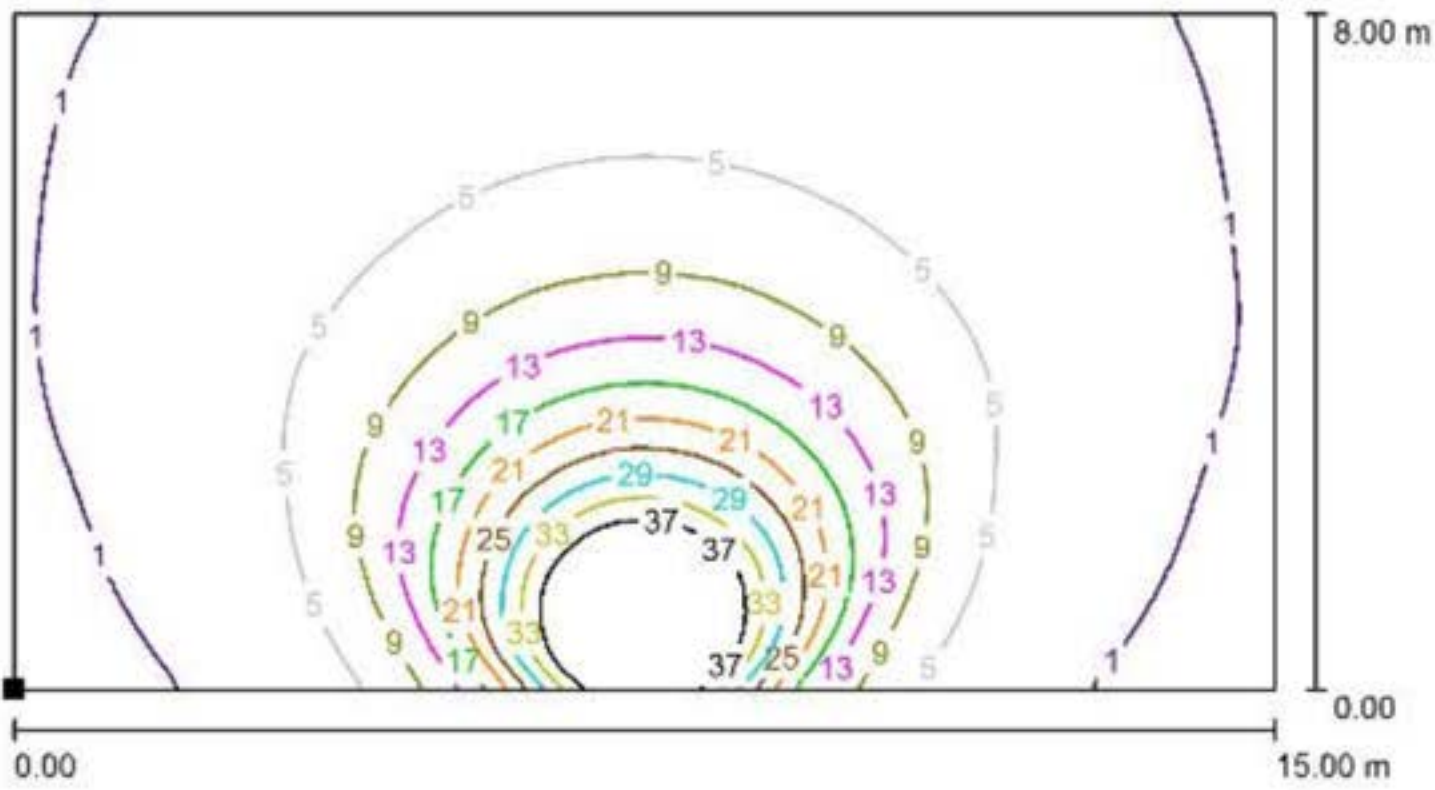
04.

optical lens

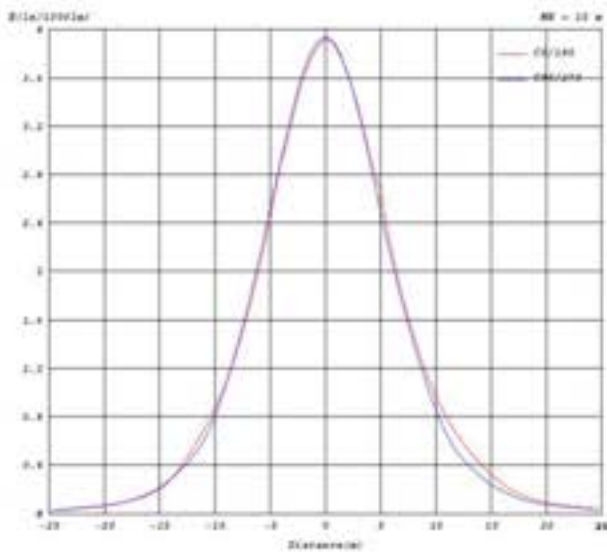
05.

battery pack

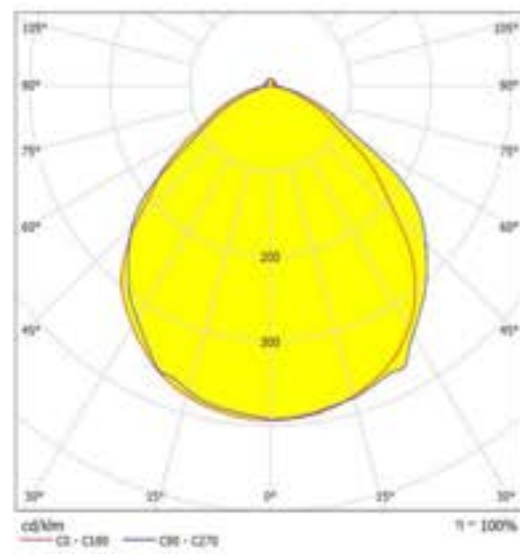
Road Simulated Diagram



Illumination Curve

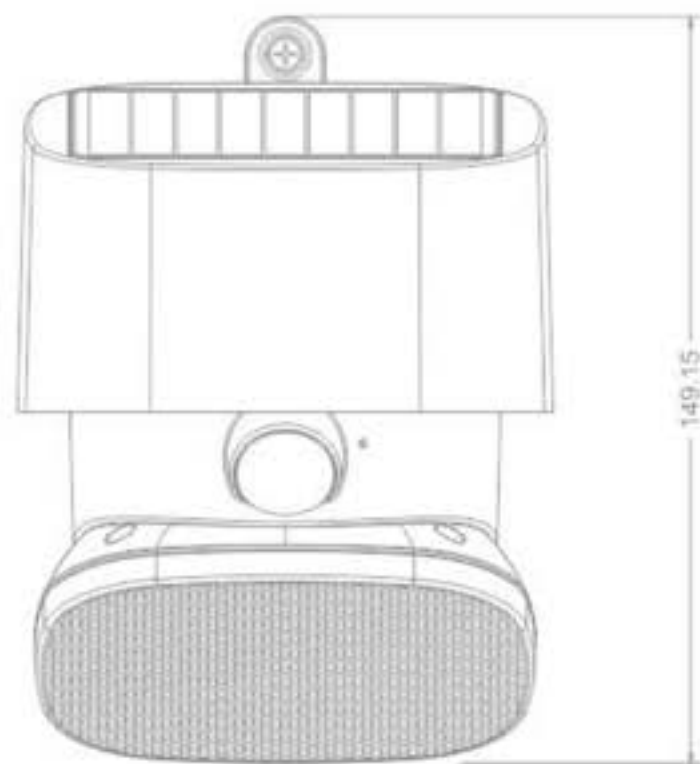
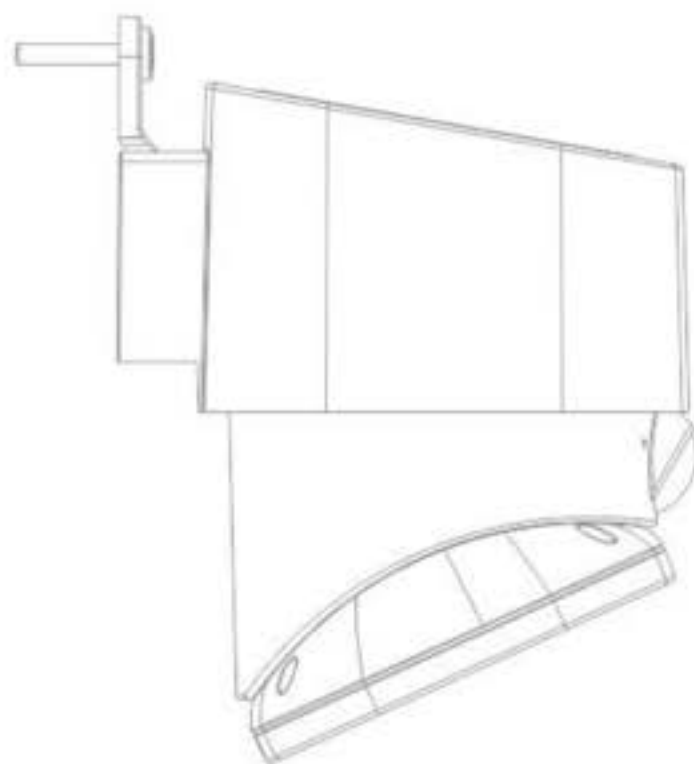
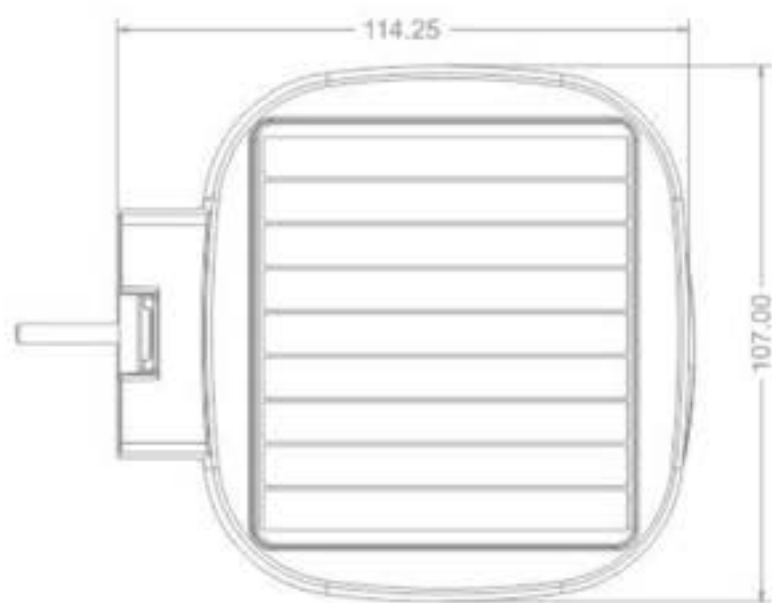


Luminance Distribution



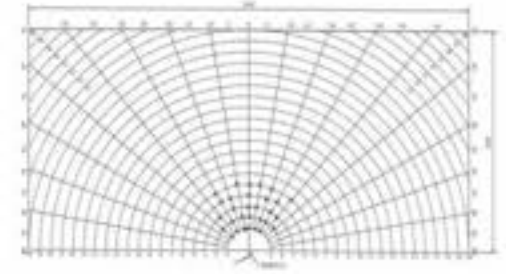


SOLAR LIGHT I DIMENTION FIGURE

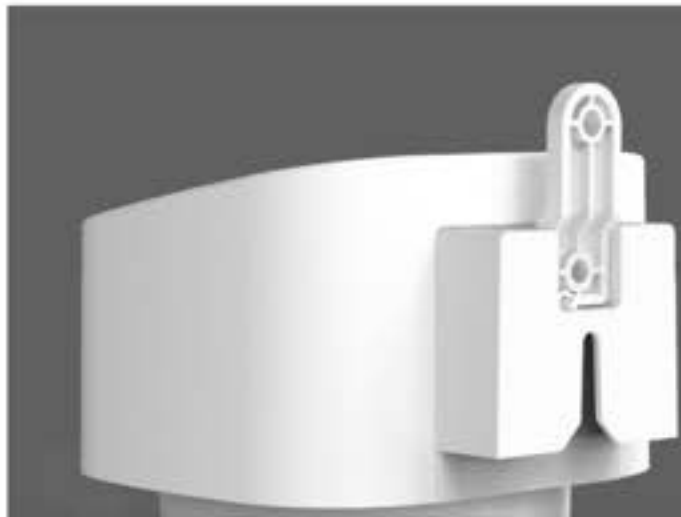




Advantage in every detail



Monocrystalline  
Solar Charging Efficiency :>21%



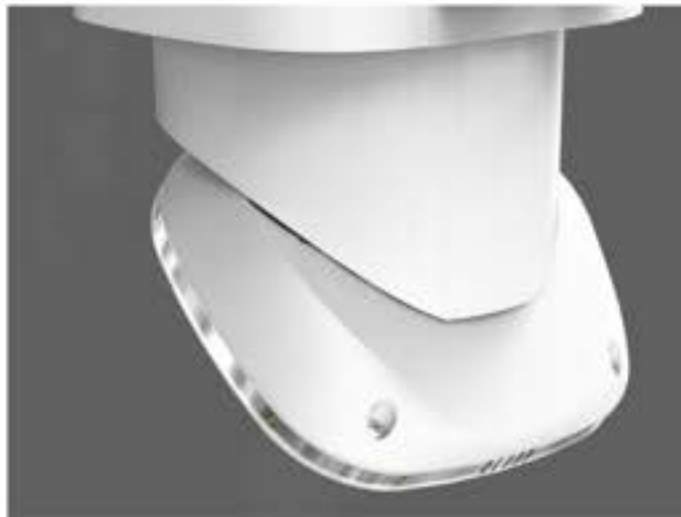
Easy to install



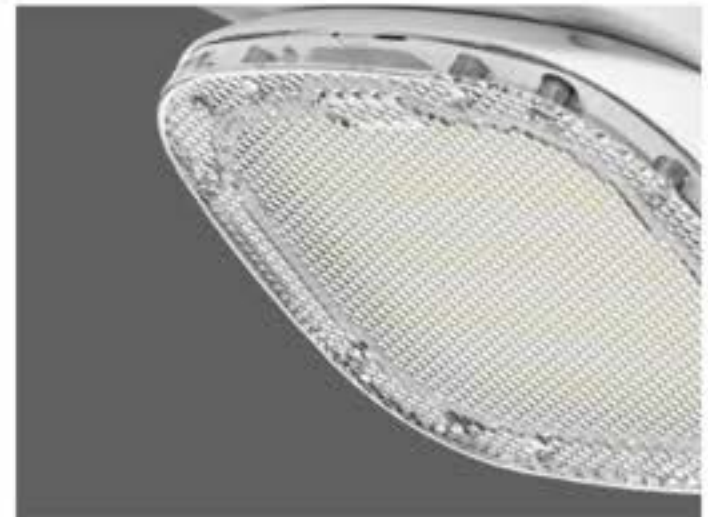
High sensitivity PIR sensor  
Switches



Vertical sliding



Back details



High lumen LEDs  
190lm/W



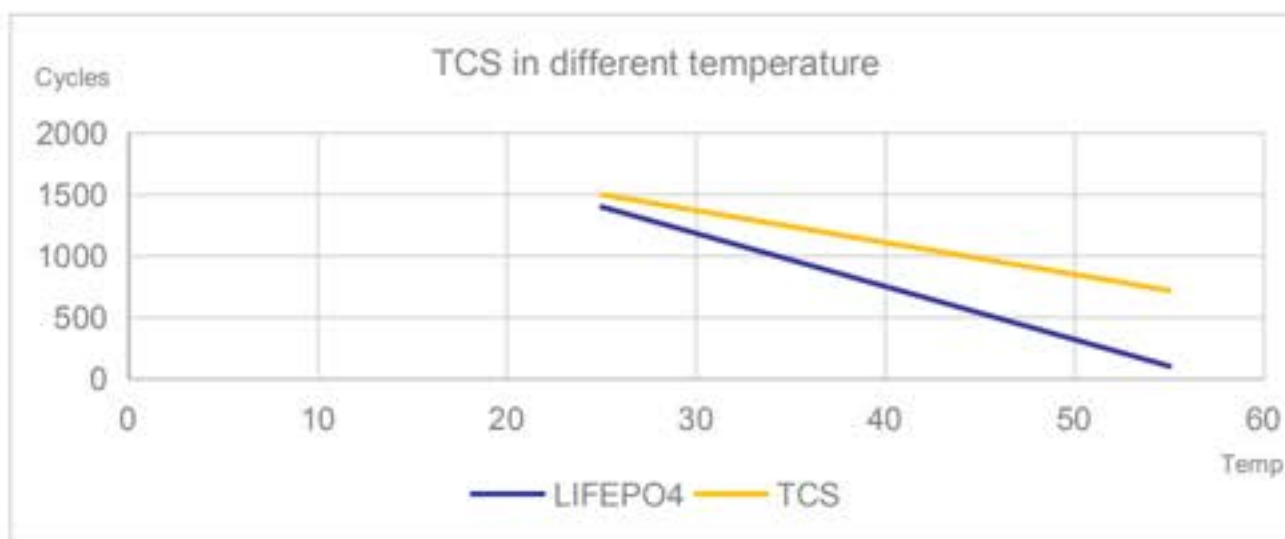
A Great Company should always pay the highest attention to the every detail design , and the craftsmanship spirit should be filled in the whole design process and mass production.



ADVANTAGE OF ALS



ADVANTAGE OF TCS



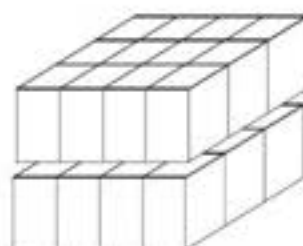
PRODUCT LIST  
 SCREW : 3PCS  
 EXPANSION SCREWS : 2PCS  
 ACCESSORIES : 1PC  
 PIN: 1PC



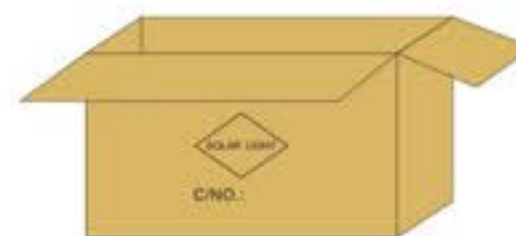
INNER COLOR BOX  
 SIZE: 113\*125\*140mm  
 1PCS/1 BOX



2 LAYERS  
 1 LAYER = 12 BOXES



MASTER CARTON  
 SIZE: 467\*387\*298mm  
 24PCS/CTN



CARTON

LAYER NUMBER

COLOR BOX

PRODUCT LIST

STEP 1

STEP 2

STEP 3

STEP 4

MODEL NO.	PACKING METHOD	PCS/CTN	QTY(PCS)	CTN QTY	CARTON SIZE(MM)	N.W.(KG)	G.W.(KG)
SWL-12	COLOR BOX	1	1	1	113*125*140	0.5	0.55
	CARTON	24	24	1	467*387*298	12	12.5

Net weight and gross weight are for reference only



S / O / L / A / R / L / I / G / H / T

THANKS  
VERY  
MUCH

